



New Design and Do & Don'ts for Allia installation

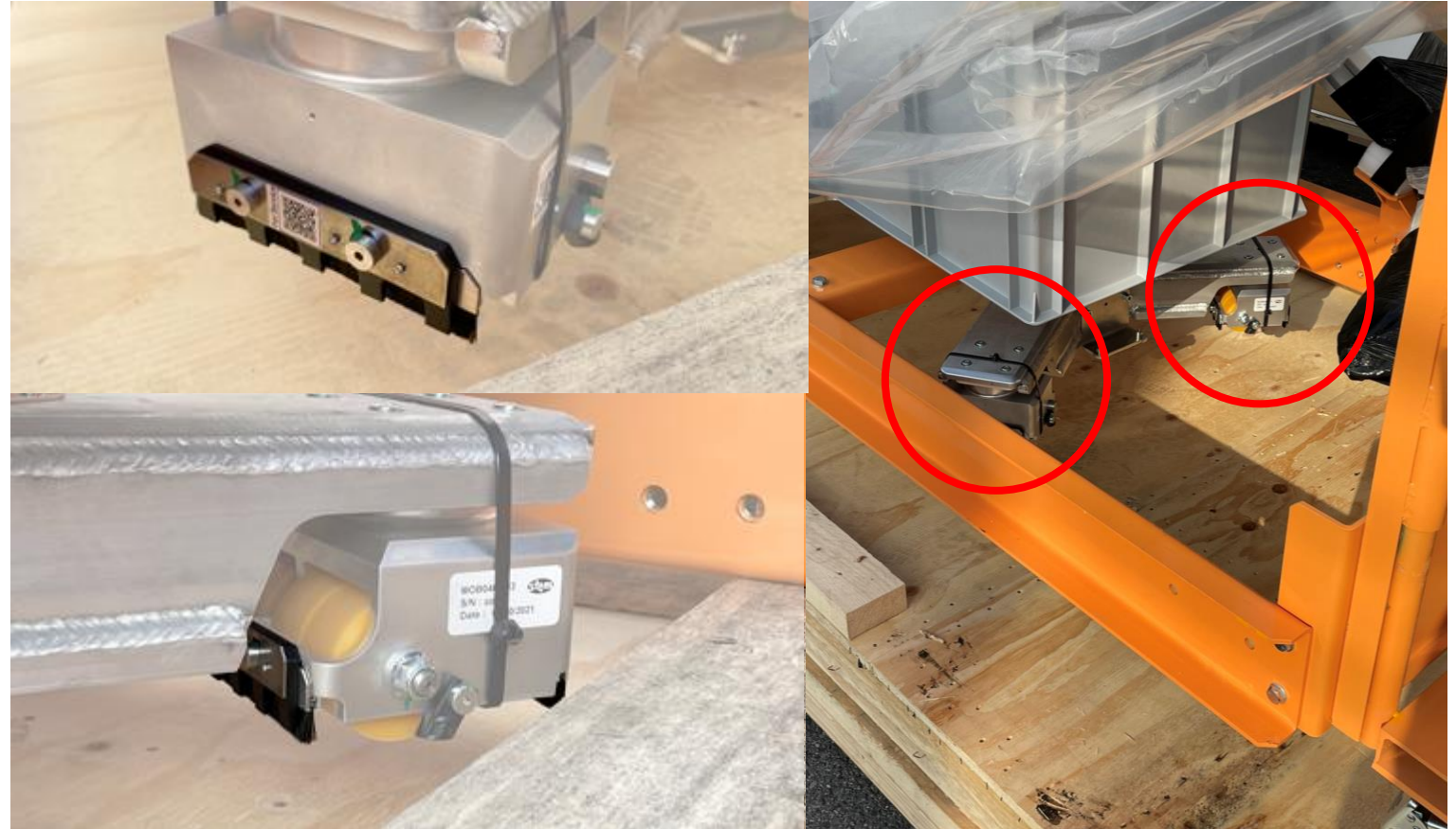
December 14, 2021

Confidential. Not to be copied, distributed, or reproduced without prior approval.

Installation on Site

Dolly issues with anti-crushing

Be careful with the dolly movement and the AGV because the anti-crushing metal parts are very fragile and may be damaged during the installation

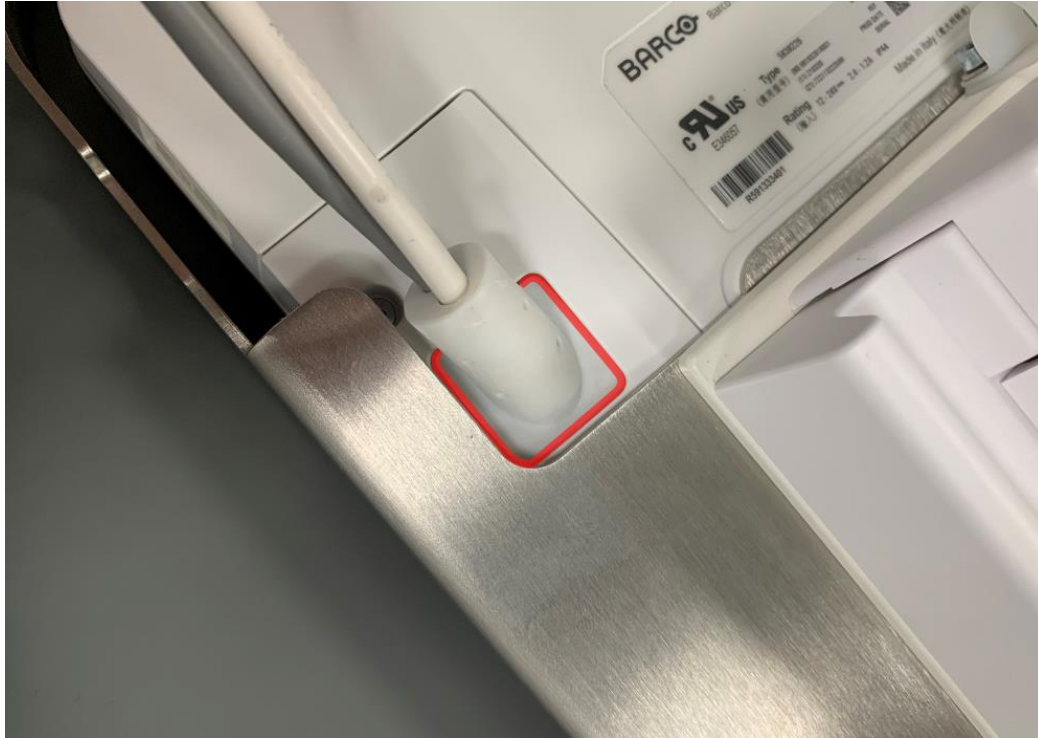


Touch Panel installation

Installation of the touch panel on the rail

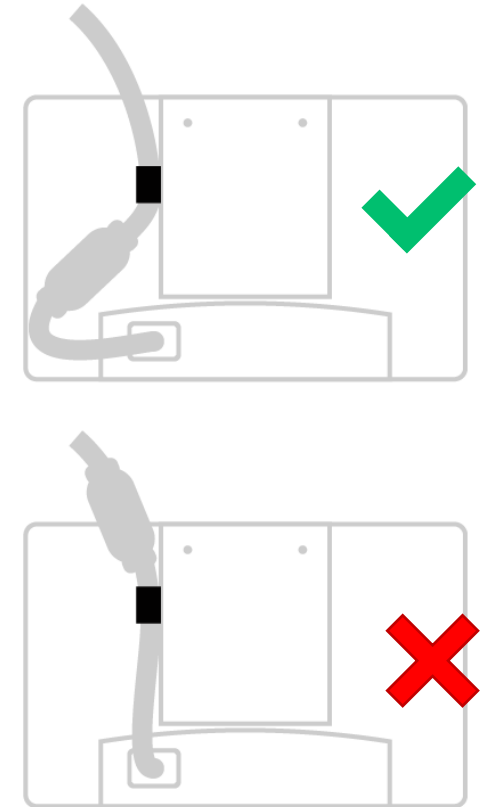
When installing the touch panel on the table's rail remember to:

Carefully place the cable rubber plate at the back



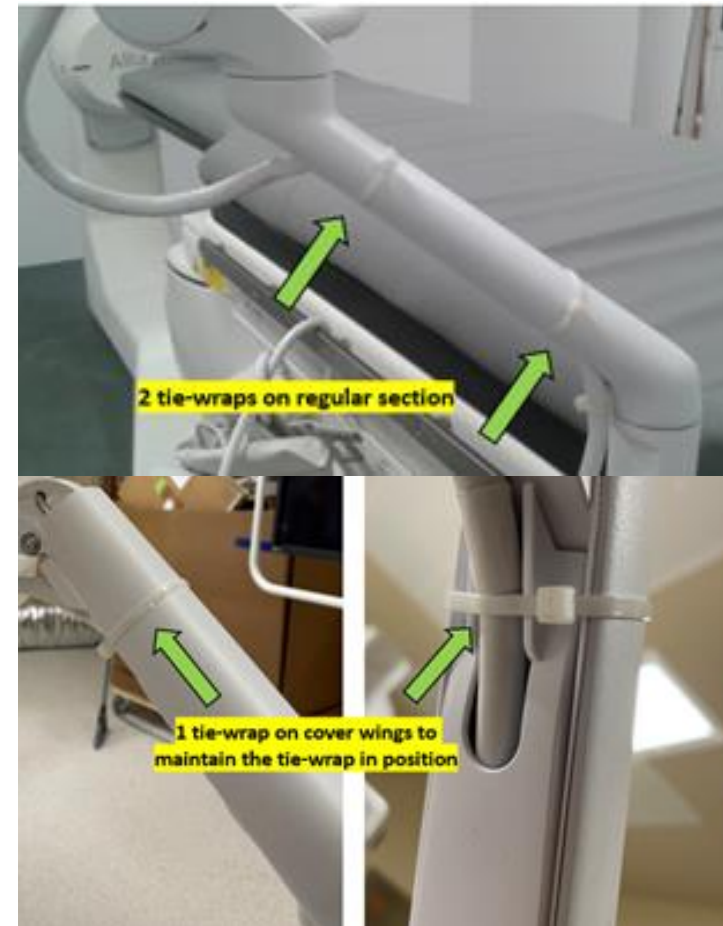
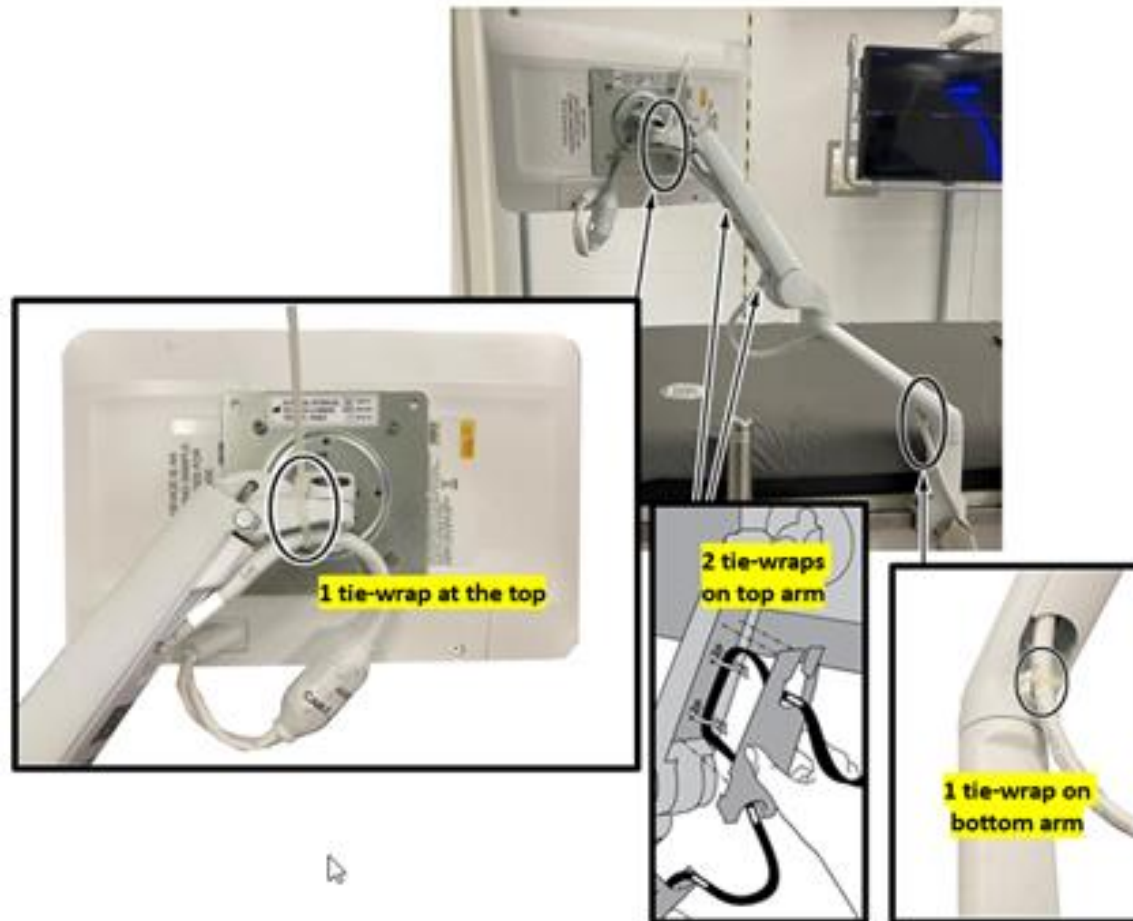
Check the rubber seal (highlighted in red)

Place the cylindrical overmolding between the plastic clamp and the back cover outlet cable



Installation of the touch panel on the Arm (1/3)

The cable covers on the Touch Panel Arm tend to be not well clipped and may fall in the patient area. To Avoid this, the temporary solution is to add tie-wraps on the tableside arm.



Installation of the touch panel on the Arm (2/3)

Do & Don't



No tie wrap here to avoid extra strength on the bottom cover when rotating the arm.



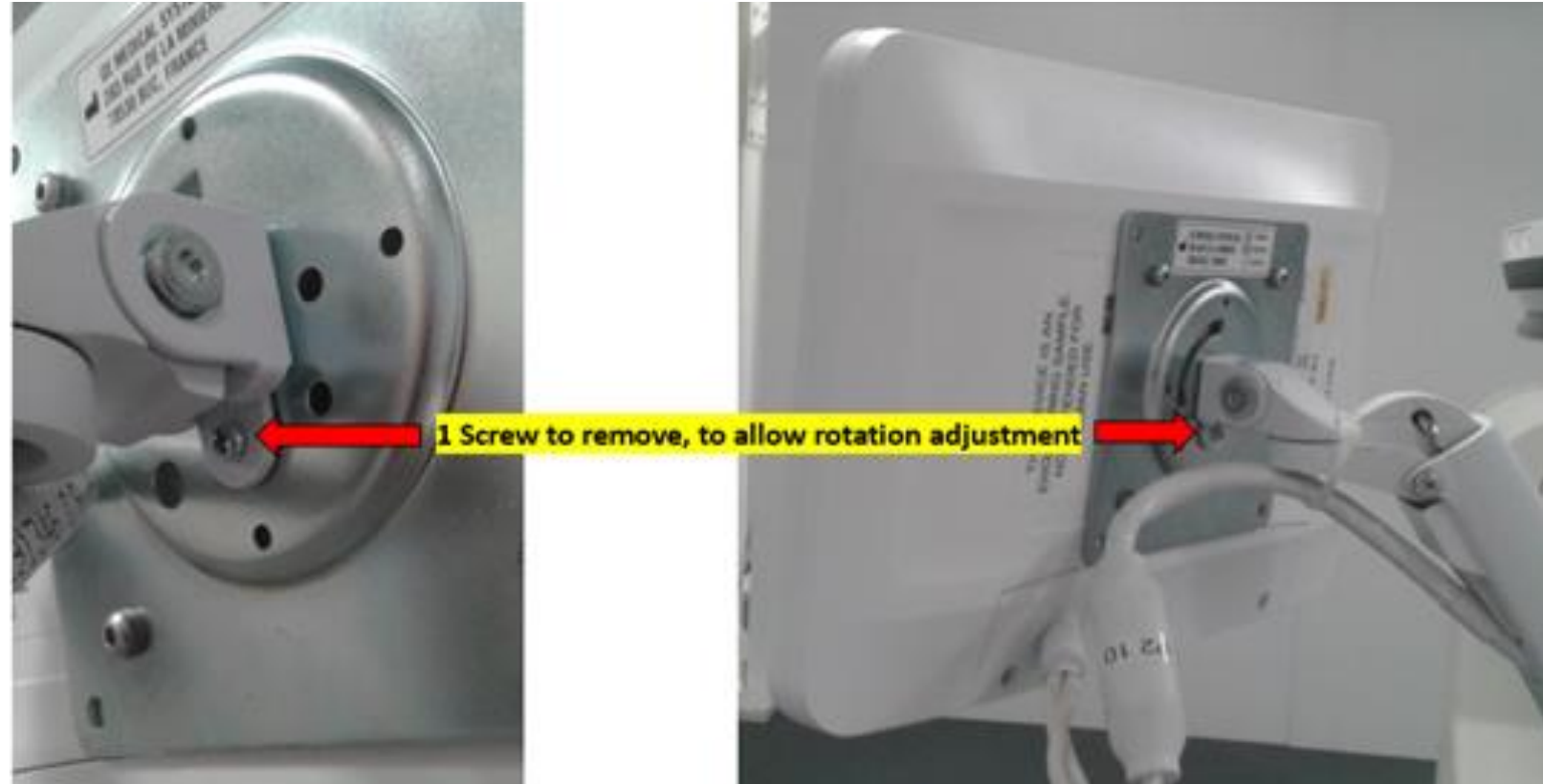
Without this tie-wrap, the overmolding at the back side of the Touch Panel may move → loss of IPX4 sealing



Installation of the touch panel on the Arm (3/3)

Warning

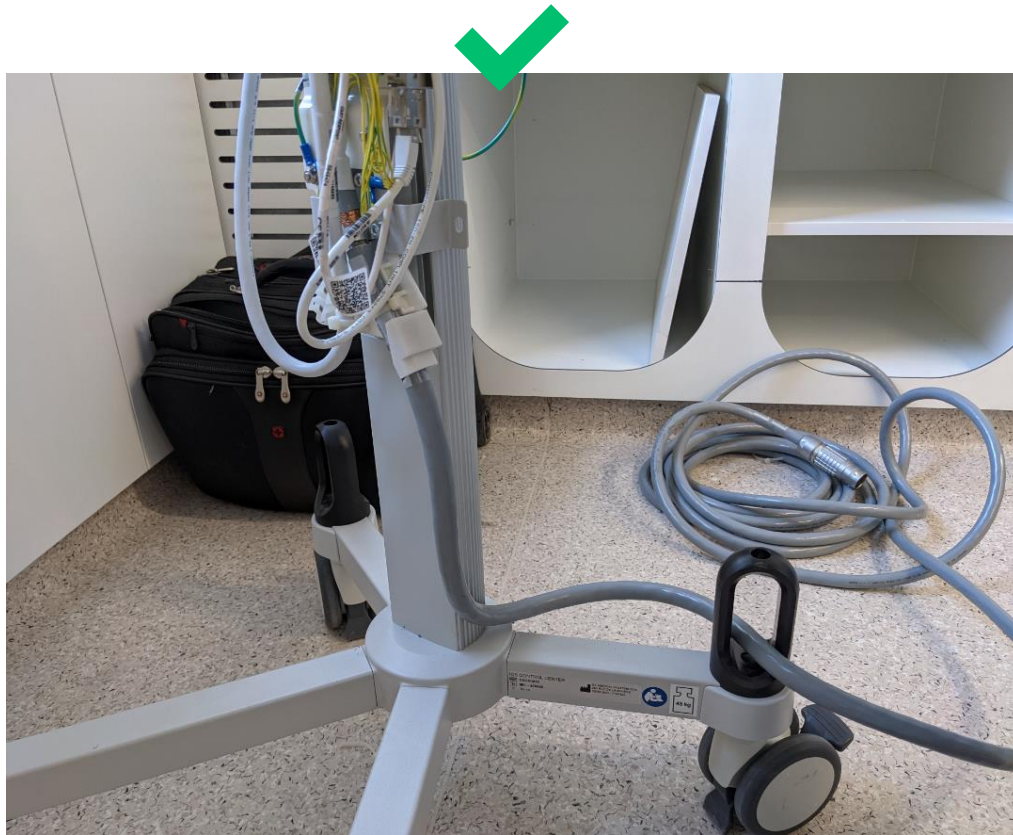
In extra positions, the Touch Panel may look like not horizontal, so please remove the locking screw



Cart installation

Power Cable installation

**Only one side of the Cart-to-Point cable can be inserted in the foot loop.
Be careful to do it BEFORE installing the covers**

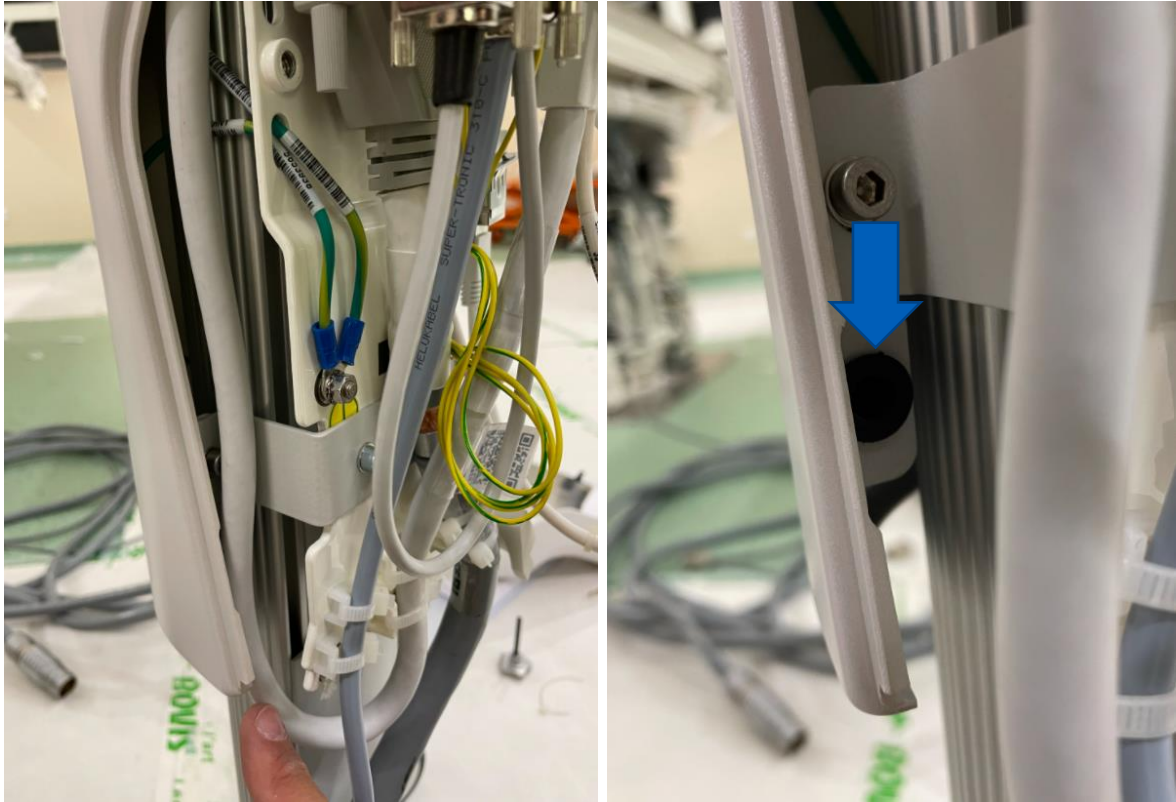


The wall plug is too large



Covers installation

Do not pinch the cables when installing the cover
(noticed the clips all along the column)



Install the back cover
through the top of the cart
*(slide it between the
column and the handle)*

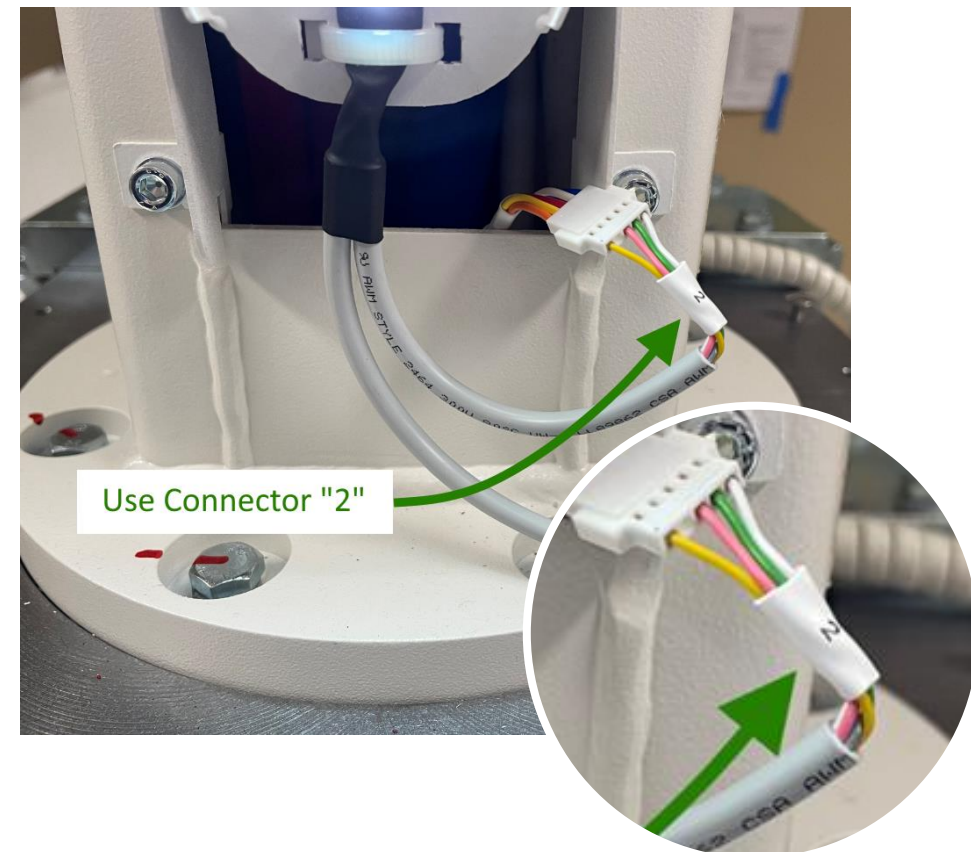
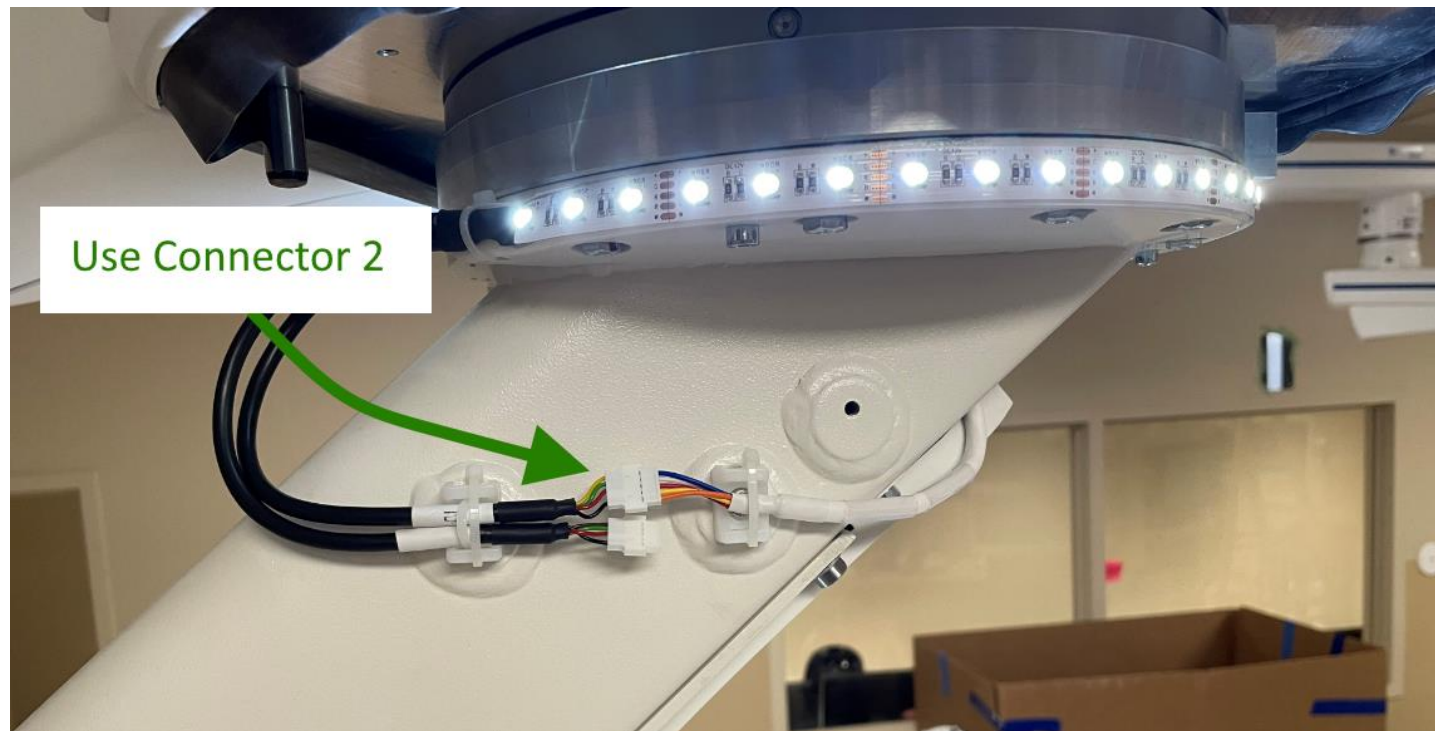


AGV installation

Connectors of LED on AGV mast

The AGV pole LED and AGV Top pole LED come with two connectors: always plug the connector #2 for Allia configurations

Note: connector#1 is for Discovery configurations only.

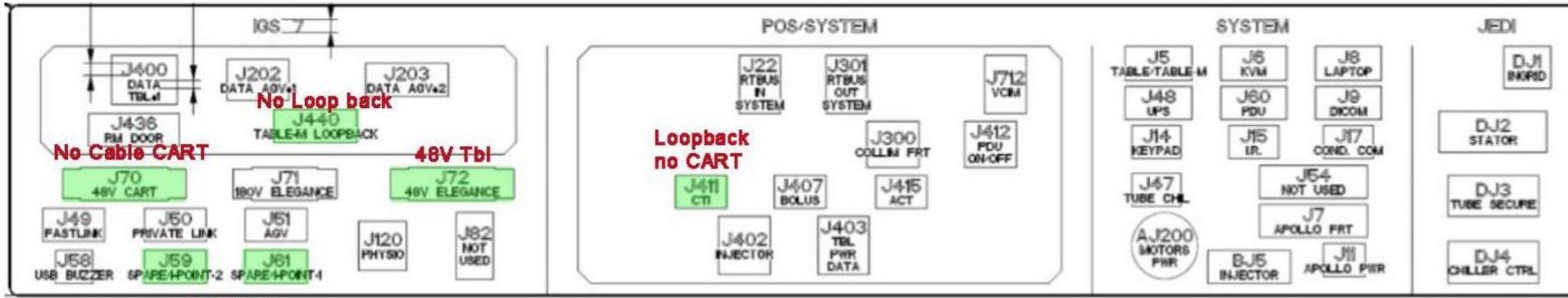


Loopbacks configuration in cabinet

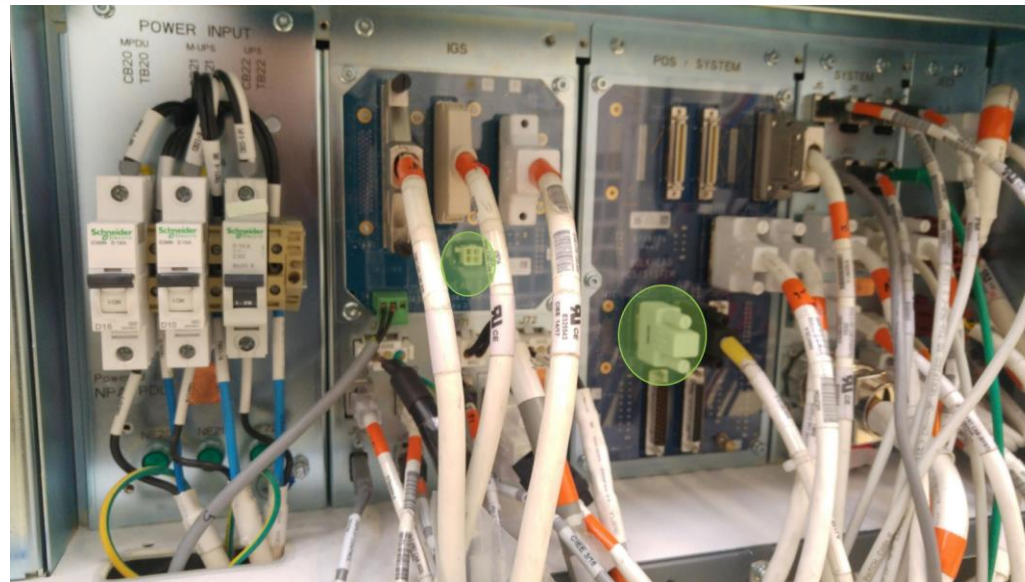
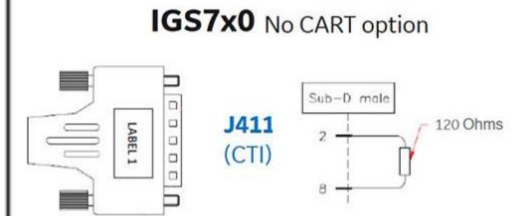
Loopbacks configurations for Elegance Table

Elegance WITHOUT CART:

J411: Connected by default with Elegance table. If IGS control Center option is installed (Cart) then it should be replaced by system cable (see below)

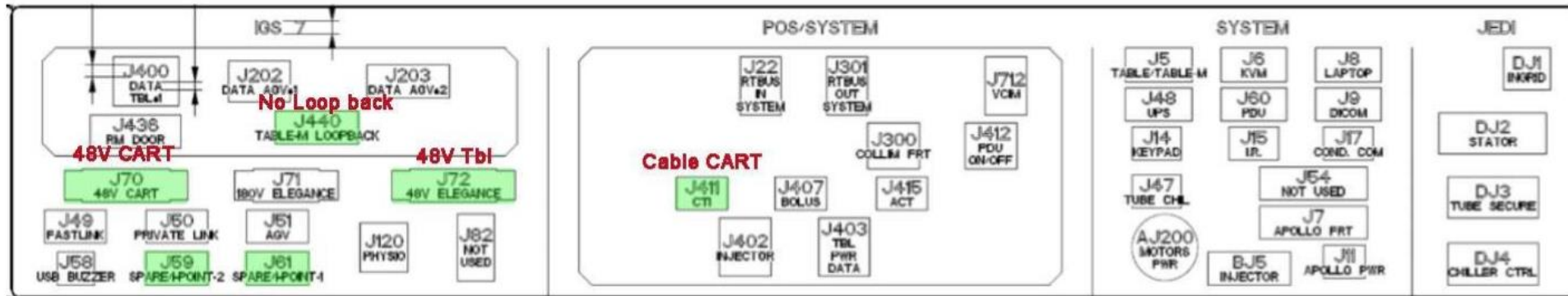


No Cable

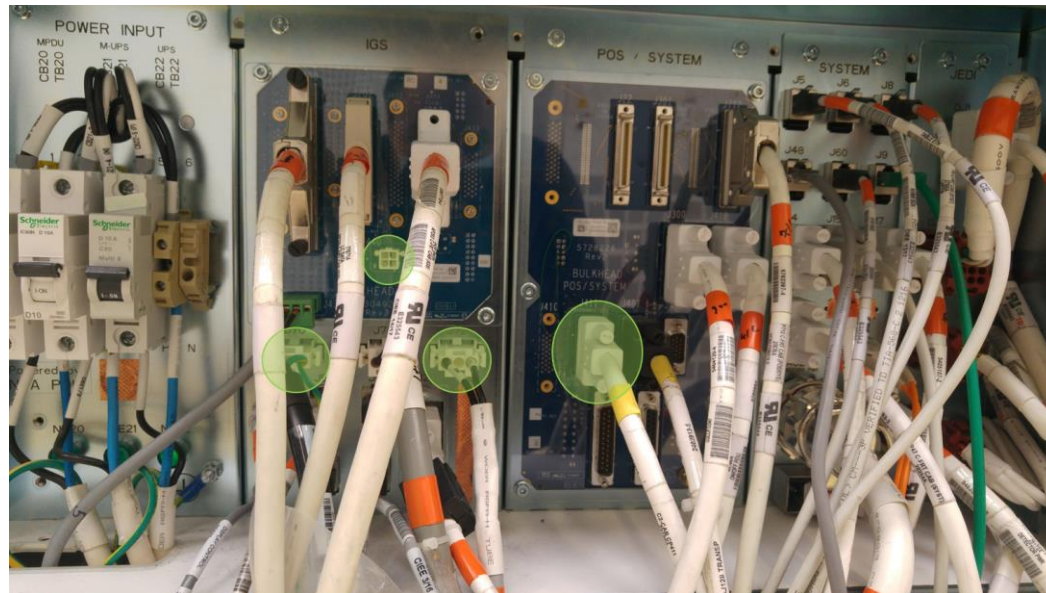


Loopbacks configurations for Elegance Table

Elegance WITH CART: J411 loopback Removed + connect cable CART + connect 48V CART + connect Eth Cables for I-Point



Cable I-Point

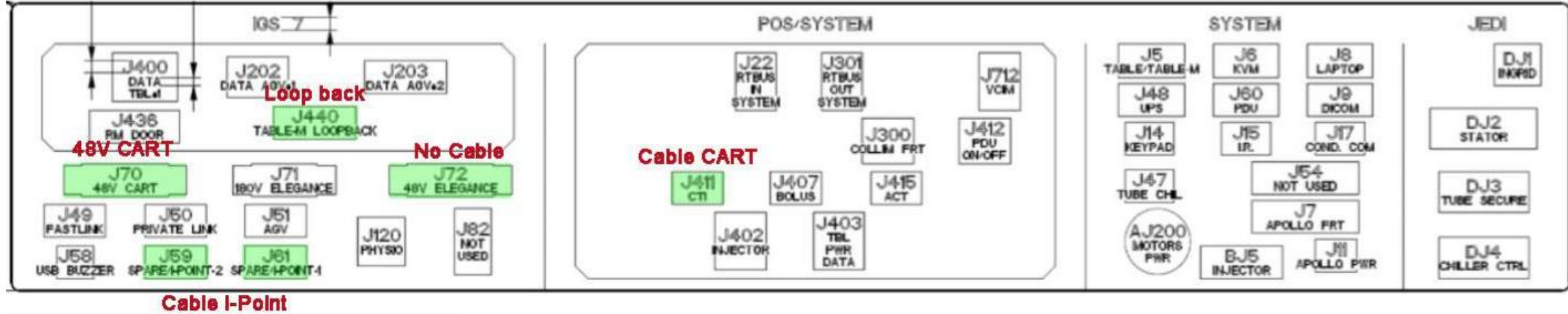


Loopbacks configurations for Maquet Table

Maquet

J440 loopback **Only connected if Maquet table.**

J411 loopback Removed + connect cable CART + connect 48V CART + connect Eth Cables for I-Point



© 2021 General Electric Company – All rights reserved.
GE and GE Monogram are trademarks of General Electric Company.

For more than 100 years, Healthcare providers worldwide have relied on GE healthcare for medical technology, services, and productivity solutions. So no matter what challenges your healthcare system faces, you can always count on GE to help you deliver the highest quality healthcare. For details, please contact your GE representative today.

